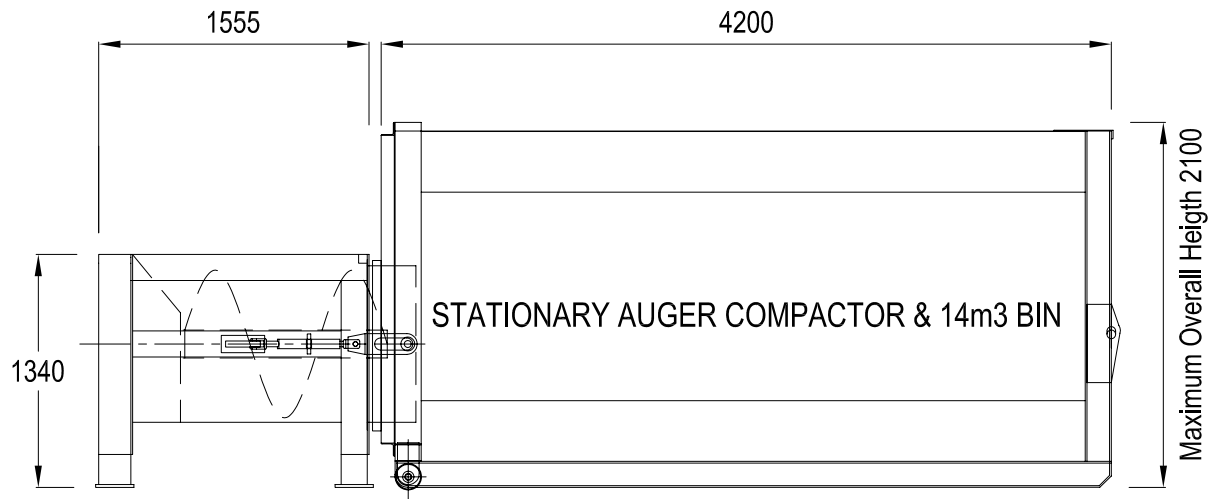


PLAN VIEW



SIDE VIEW



PAKMOR Waste Equipment Australia Pty Ltd
ABN 33066575077

P.O. Box 6044 Phone: 02 4577 3099
 SOUTH WINDSOR N.S.W. 2756 Fax: 02 4577 3022

ITEM	REVISIONS	DATE	APPD

CONFIDENTIAL This drawings & all information contained hereon are the property of
 PAKMOR WASTE EQUIPMENT AUSTRALIA PTY LTD.
 All use is forbidden without written permission.

IF IN DOUBT ASK

Project Title: **Stationary Auger Compactor & 14 Cubic Metre Bin**

Customer Name: _____ Dwg No: **SP10-A-90.14m** Project No: _____

Projection: Scale: **N.T.S.** Date: _____
Units are metric unless otherwise specified Drawn by: **L.E.CACERES** Checked By: **D.S. CROZIER** Rev. _____