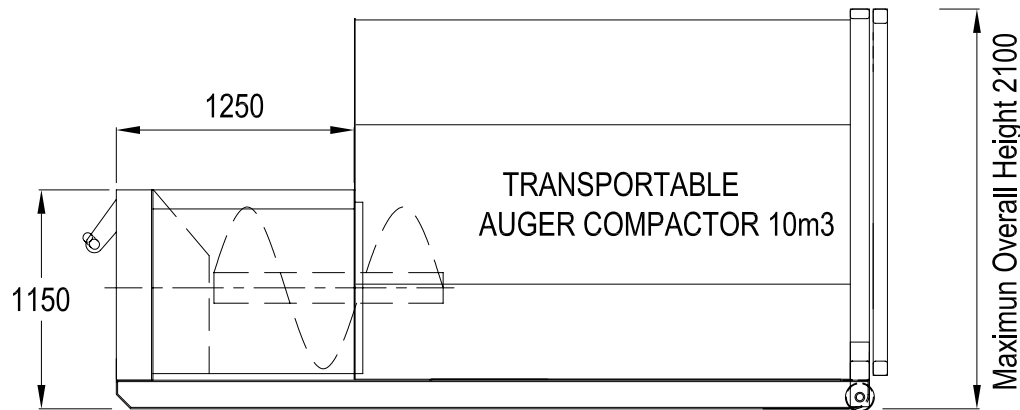


PLAN VIEW



SIDE VIEW



**PAKMOR** Waste Equipment Australia Pty Ltd  
ABN 33066575077

P.O. Box 6044 Phone: 02 4577 3099  
 SOUTH WINDSOR N.S.W. 2756 Fax: 02 4577 3022

ITEM	REVISIONS	DATE	APPD

**CONFIDENTIAL** This drawings & all information contained hereon are the property of  
 PAKMOR WASTE EQUIPMENT AUSTRALIA PTY LTD.  
 All use is forbidden without written permission.

**IF IN DOUBT ASK**

Project Title: **Transportable Auger Compactor 10 Cubic Metre**

Customer Name: \_\_\_\_\_ Dwg No: **TRC10-A-90.10m** Project No: \_\_\_\_\_

Projection: Scale: **N.T.S.** Date: \_\_\_\_\_ Drawn by: **L.E.CACERES** Checked By: **D.S. CROZIER** Rev. \_\_\_\_\_  
Units are metric unless otherwise specified